

IPPC08A7-RE / IPPC12A7-RE / IPPC15A7-RE IPPC17A7-RE / IPPC19A7-RE

IPPC series

Intel® Atom™ Processor Heavy-Duty Industrial Panel PC



I/O View



IPPC08A7-RE



IPPC12A7-RE / IPPC15A7-RE /
IPPC17A7-RE / IPPC19A7-RE

Features

- Fanless design Panel PC
- Intel® Atom™ processor
- IP65 front-panel protection
- 5-wire resistive touch panel
- Slim & compact design
- Modular design*- easy to maintain



- Aluminum front bezel



- Auto dimming sensor*



- Brightness and volume control*
- F1~F5 function key*



*Does not apply to IPPC08A7

1 Stainless Steel Panel PC | 2 All-in-one Panel PC with Riser Card Expansion | 3 Compact Panel PC | 4 Outdoor Panel PC | 5 Heavy-duty Industrial Panel PC | 6 ARM-Based Panel PC | 7 ARM-Based HMI

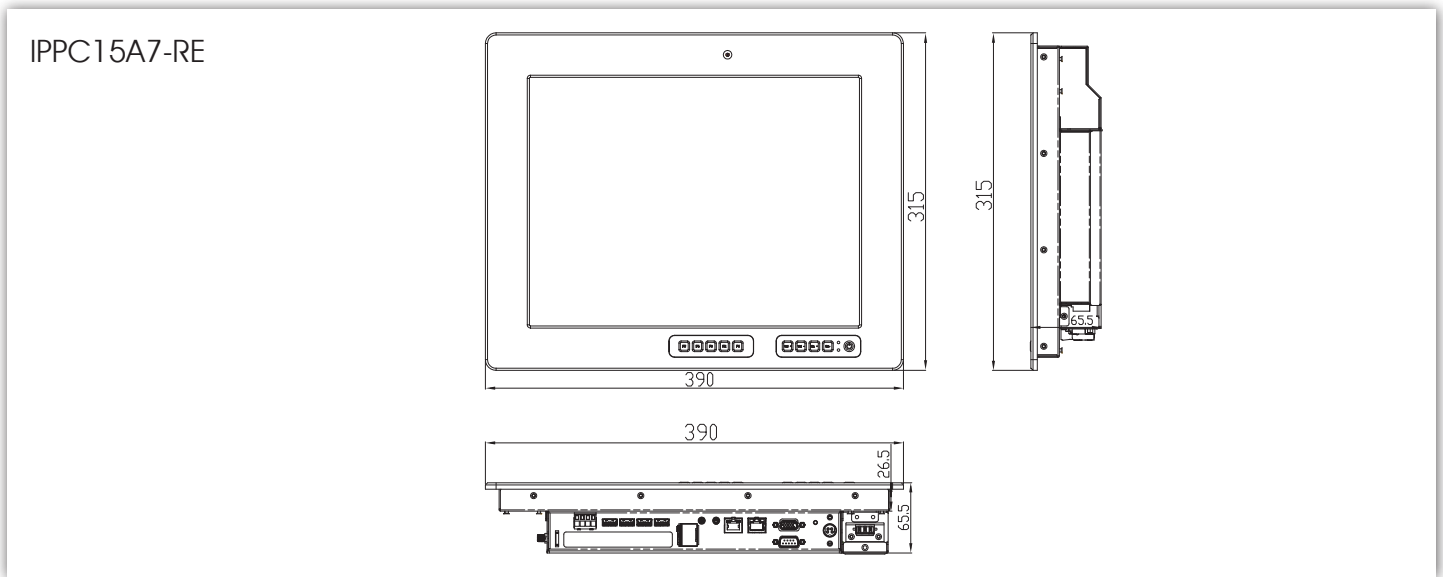
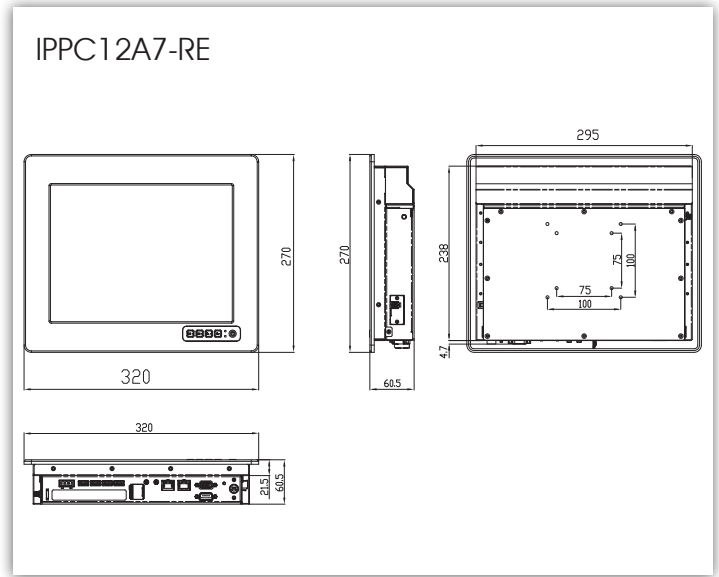
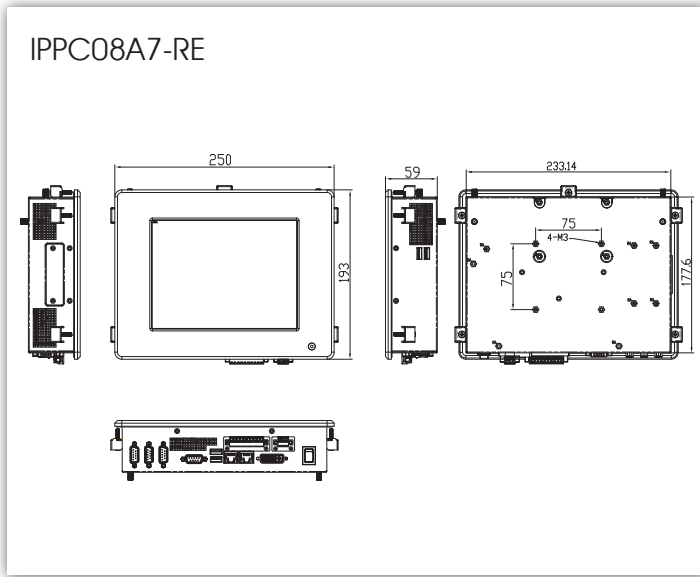
IPPC08A7-RE / IPPC12A7-RE / IPPC15A7-RE IPPC17A7-RE / IPPC19A7-RE

Specifications

Model No.		IPPC08A7-RE	IPPC12A7-RE	IPPC15A7-RE	IPPC17A7-RE	IPPC19A7-RE
Display & Touch Screen	Display Size	8.4" TFT-LCD	12" TFT-LCD	15" TFT-LCD	17" TFT-LCD	19" TFT-LCD
	Max. Resolution	800 x 600	1024 x 768	1024 x 768	1280 x 1024	1280 x 1024
	Luminance (cd/m ²)	350	500	400	350	350
	Contrast	600:1	700:1	700:1	800:1	1000:1
	Max. Color	262K	16.2M	16.2M	16.7M	16.7M
	View Angle (H°/V°)	150/130	160/160	160/140	170/170	170/160
	Backlight Lifetime(hrs)	50000	50000	50000	50000	50000
	Touch Type	Resistive	Resistive	Resistive	Resistive	Resistive
	Touch Interface	USB	USB	USB	USB	USB
	Light Transmission (%)	80	81	80	81	81
	Point of touch	1	1	1	1	1
I/O Interface	USB 3.0	0	0	0	0	0
	USB 2.0	4	4	4	4	4
	RS-232/422/485 Selectable under BIOS	1	1	1	1	1
	RS-232	3	0	0	0	0
	LAN	2x GbE	2x GbE	2x GbE	2x GbE	2x GbE
	Additional Graphics	DVI-I	VGA	VGA	VGA	VGA
	Audio	None	Mic-in / Line-out	Mic-in / Line-out	Mic-in / Line-out	Mic-in / Line-out
	Digital I/O	4in / 4out	2in / 2out	2in / 2out	2in / 2out	2in / 2out
	Power Connector	3-pin terminal block	Power jack	Power jack	Power jack	Power jack
	Power Button	Rock switch	Reset button	Reset button	Reset button	Reset button
	Mechanical	Dimensions (mm)	250 x 193 x 59	320 x 270 x 60.5	390 x 315 x 65.5	430 x 365 x 73
Net Weight (kgs)		2.3	4.9	6.2	8.1	9.1
System	Processor	Intel® Atom™ Processor N2600 1.6GHz	Intel® Atom™ Processor D2550 1M cache, 1.86GHz	Intel® Atom™ Processor D2550 1M cache, 1.86GHz	Intel® Atom™ Processor D2550 1M cache, 1.86GHz	Intel® Atom™ Processor D2550 1M cache, 1.86GHz
	Memory	1x DDR3-1066 SO-DIMM up to 2GB	2x DDR3-1600MHz DIMM, Max. 16GB (Non-ECC)	2x DDR3-1600MHz DIMM, Max. 16GB (Non-ECC)	2x DDR3-1600MHz DIMM, Max. 16GB (Non-ECC)	2x DDR3-1600MHz DIMM, Max. 16GB (Non-ECC)
	Thermal Design	Fanless	Fanless	Fanless	Fanless	Fanless
	Membrane Control	None	Brightness up/down, Volume up/down, Power button	Brightness up/down, Volume up/down, Power button, F1~F5 function key	Brightness up/down, Volume up/down, Power button, F1~F5 function key	Brightness up/down, Volume up/down, Power button, F1~F5 function key
	Built-in Speaker/MIC	None	None	2x Speaker	2x Speaker	2x Speaker
Expansion	Internal Expansion Bus	1x Mini PCI-E half/full size *Full-sized Mini PCI-E(1x) support mSATA	1x Mini PCI-E half/full size	1x Mini PCI-E half/full size	1x Mini PCI-E half/full size	1x Mini PCI-E half/full size
	Expansion Slot	None	1x PCI slot	1x PCI slot	1x PCI slot	1x PCI slot
	Wireless	None	Optional Wi-Fi/BT	Optional Wi-Fi/BT	Optional Wi-Fi/BT	Optional Wi-Fi/BT
Storage Space	HDD	1x 2.5" SATA	1x 2.5" SATA	1x 2.5" SATA	1x 2.5" SATA	1x 2.5" SATA
	Removable	1x CFast slot	None	None	None	None
Power	Power Input Range	12~24V DC	12V DC	12V DC	12V DC	12V DC
Construction	Chassis Material	Aluminum & SGCC	Aluminum & SGCC	Aluminum & SGCC	Aluminum & SPCC	Aluminum & SPCC
	Color (Front/Back)	Silver / Silver	Silver / Silver	Silver / Silver	Silver / Silver	Silver / Silver
	IP Rating	IP65 front bezel	IP65 front bezel	IP65 front bezel	IP65 front bezel	IP65 front bezel
	Mounting	Panel mount and VESA 75x75 mm	Panel mount and VESA 75x75 and 100x100 mm	Panel mount and VESA 75x75 and 100x100 mm	Panel mount and VESA 75x75 and 100x100 mm	Panel mount and VESA 75x75 and 100x100 mm
Environment	Operating Temperature	0°C ~ 45°C	0°C ~ 45°C	0°C ~ 45°C	0°C ~ 45°C	0°C ~ 45°C
	Storage Temperature	-20°C ~ 80°C	-10°C ~ 60°C	-10°C ~ 60°C	-20°C ~ 80°C	-20°C ~ 80°C
	Storage Humidity	5%~90% @ 45°C (non-condensing)				
	Certification	CE/FCC Class B				
	Operating System Support	Windows Embedded Standard 7, Windows 7 Pro for Embedded				

IPPC08A7-RE / IPPC12A7-RE / IPPC15A7-RE IPPC17A7-RE / IPPC19A7-RE

Dimensions



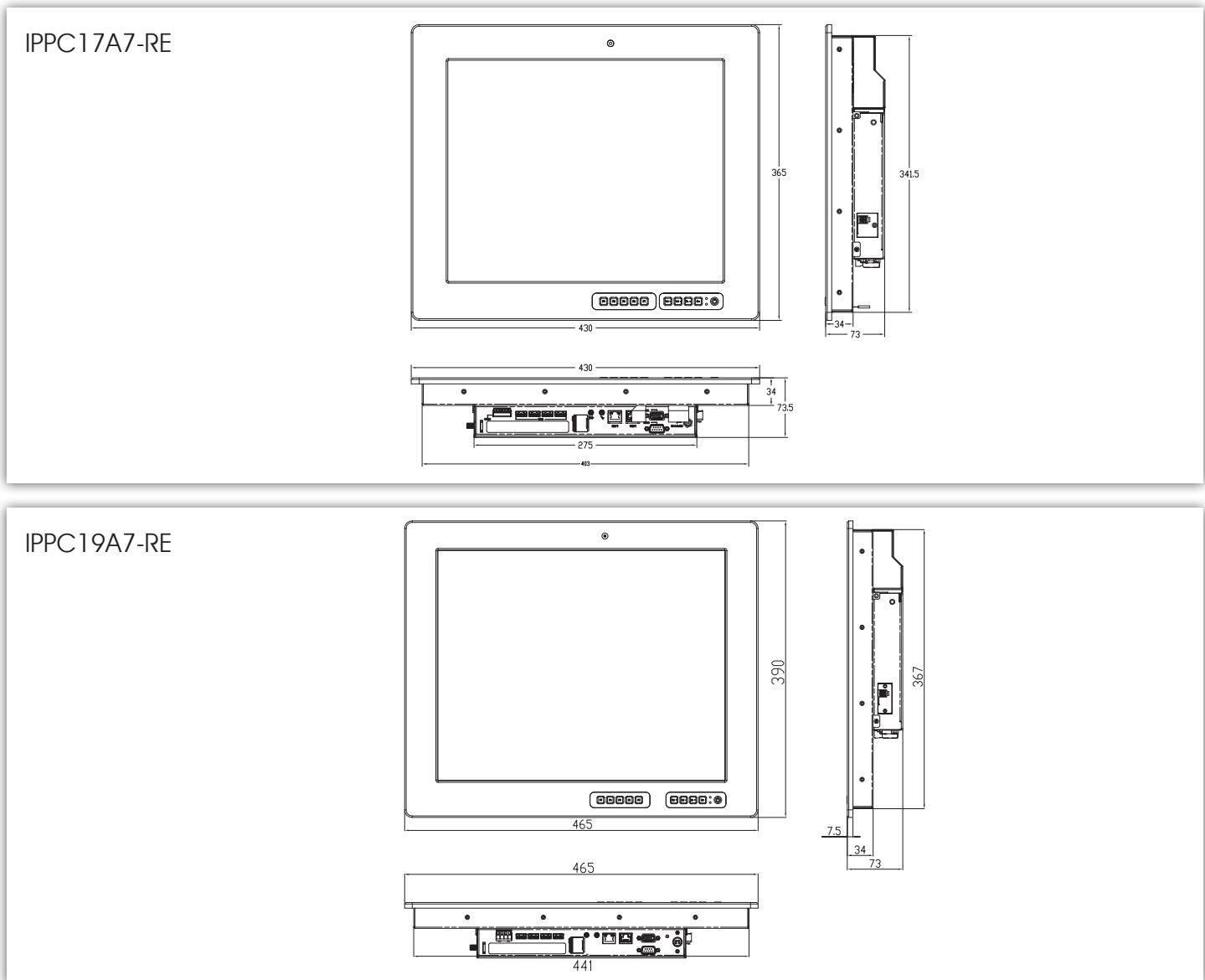
Ordering Information

IPPC08A7-RE	8.4" Industrial Panel PC, Intel® Atom™ Processor N2600 (1M cache, 1.6GHz), resistive touch, w/o CFast & Memory, w/ 60W power adaptor
IPPC12A7-RE	12" Modularized Panel PC with IB806, Intel® Atom™ Processor D2550 1.86GHz, with 2GB DDR3 SO-DIMM, 320GB HDD and resistive touch, w/o power adaptor
IPPC15A7-RE	15" Modular Panel PC with IB806, Intel® Atom™ Processor D2550 1.86GHz, with 2GB DDR3 SO-DIMM, 320GB HDD and resistive touch, w/o power adaptor
Power adaptor (optional)	AC 90V~240V input, 12V DC output 84W power adaptor IBASE P/N: A005PS084W0050000P

1 Stainless Steel Panel PC | 2 All-in-one Panel PC with Riser Card Expansion | 3 Compact Panel PC | 4 Outdoor Panel PC | 5 Heavy-duty Industrial Panel PC | 6 ARMv-Based Panel PC | 7 ARMv-Based HMI

IPPC08A7-RE / IPPC12A7-RE / IPPC15A7-RE IPPC17A7-RE / IPPC19A7-RE

Dimensions



Ordering Information

IPPC17A7-RE	17" Modular Panel PC with resistive touch Intel® Atom™ Processor D2550 CPU, 2GB DDR3 SO-DIMM, 320G HDD, 12V DC input, w/o power adaptor
IPPC19A7-RE	19" Modular Panel PC with resistive touch Intel® Atom™ Processor D2550 CPU, 2GB DDR3 SO-DIMM, 320G HDD, 12V DC input, w/o power adaptor
Power adaptor (optional)	AC 90V~240V input, 12V DC output 84W power adaptor IBASE P/N: A005PS084W0050000P