



Features

- Fanless system supports IBASE IB915 3.5-inch Disk-Size SBC
- Onboard 6th Generation Intel® Core™ U-series Processor
- iSMART- for auto-scheduler and power resume
- Supports 1x Mini PCI-E (full-size)
- Supports 1x 2.5" SATA HDD device
- 1x USB 3.1 port type-c, 4x USB 3.0 ports
- Wall mount kit included
- 12V~24V DC wide-range power input

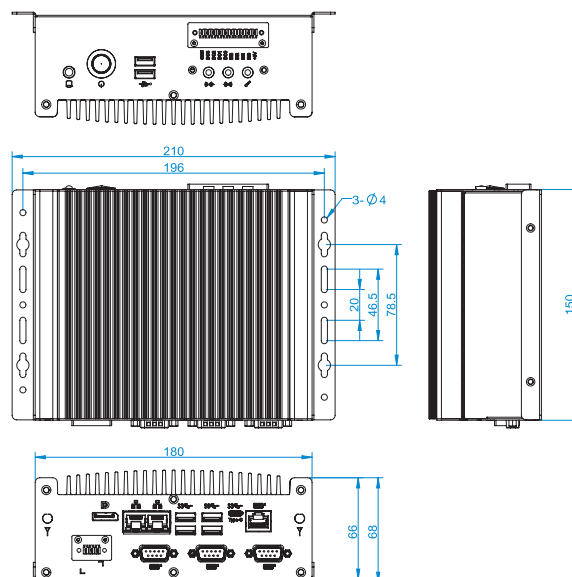
Specifications

System Mainboard	IB915AF-6600 / IB915AF-6300 / IB915AF-6100
CPU Type	Intel® Core™ i7 6600U processor Intel® Core™ i5 6300U processor Intel® Core™ i3 6100U processor
System Speed	2.6GHz / 2.4GHz / 2.3GHz
Memory	2x 2GB DDR3L-1600 SO-DIMM Memory, Max.16GB
Construction	Aluminum & Steel
Chassis Color	Black
Front Panel External I/O	1x Power button 2x USB2.0 1x Audio Jack for Line-out / Line-in / MIC-in 1x HDD LED 1x Digital I/O (4-in / 4-out)
Rear Panel External I/O	1x COM thru RJ45 connector (RS-232/422/485) 3x COM (RS232) 4x USB 3.0 ports 1x USB 3.1 port type-C 1x DisplayPort 2x RJ-45 GbE connector 1x 12V~24V DC-in (terminal block type)
Storage	1x 2.5" HDD or SSD
Power Supply	Optional 84W power adaptor
Mounting	Desktop or wall mount (wall mount kit included) VESA mount (option)
Dimensions	180mm(W) x 150mm(D) x 66mm(H)
Operating Temperature	-10°C~50°C (14°F~122°F) (With SSD)
Storage Temperature	-20°C ~ 80°C (-4°F~176°F)
Relative Humidity	5~90% @ 45°C, (non-condensing)
Vibration	Operating : 0.25Grms / 5~500Hz Non-operating : 1Grms / 5~500Hz
Shock	Operating : 20G / 11ms Non-operating : 40G / 11ms
Certification	CE / LVD / FCC Class B

Ordering Information

ASB200-915-i7	Fanless chassis with IB915AF-6600, Intel® i7-6600U 2.6GHz CPU, 4x COM, 2x 2GB DDR3L memory, 1x 2.5" 64GB MLC SSD, support iAMT11.0 (w/o 84W power adaptor and VESA mount bracket)
ASB200-915-i5	Fanless chassis with IB915AF-6300, Intel® i5-6300U 2.4GHz CPU, 4x COM, 2x 2GB DDR3L memory, 1x 2.5" 64GB MLC SSD, support iAMT11.0 (w/o 84W power adaptor and VESA mount bracket)
ASB200-915-i3	Fanless chassis with IB915F-6100, Intel® i3-6100U 2.3GHz CPU, 4x COM, 2x 2GB DDR3L memory, 1x 2.5" 64GB MLC SSD (w/o 84W power adaptor and VESA mount bracket)
ASB200-915-i7-DC	Fanless chassis with IB915AF-6600, Intel® i7-6600U 2.6GHz CPU, 4x COM, 2x 2GB DDR3L memory, 1x 2.5" 64GB MLC SSD, 1x 84W power adaptor, support iAMT11.0 (w/o VESA mount bracket)
ASB200-915-i5-DC	Fanless chassis with IB915AF-6300, Intel® i5-6300U 2.4GHz CPU, 4x COM, 2x 2GB DDR3L memory, 1x 2.5" 64GB MLC SSD, 1x 84W power adaptor, support iAMT11.0 (w/o VESA mount bracket)
ASB200-915-i3-DC	Fanless chassis with IB915F-6100, Intel® i3-6100U 2.3GHz CPU, 4x COM, 2x 2GB DDR3L memory, 1x 2.5" 64GB MLC SSD, 1x 84W power adaptor (w/o VESA mount bracket)

Dimensions and Drawing

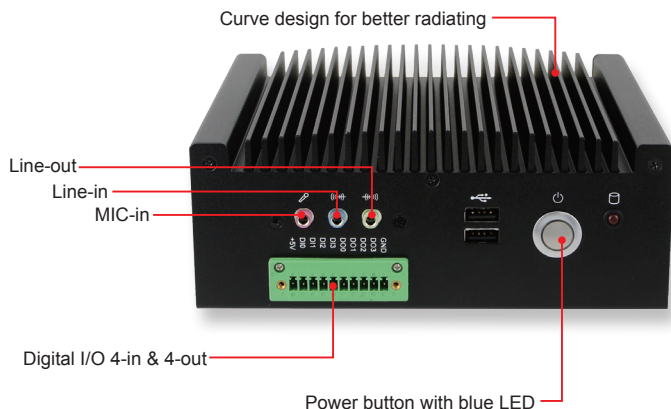


ASB200-915

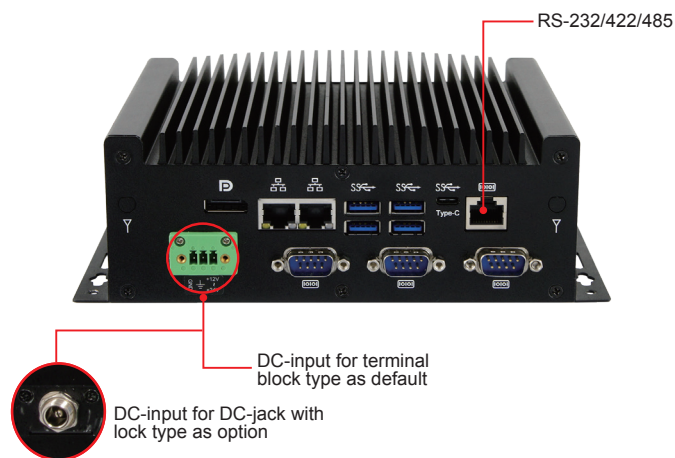
Slim Type System for IBASE IB915 3.5" Disk-Size SBC

Intelligent Multiple I/O Ports

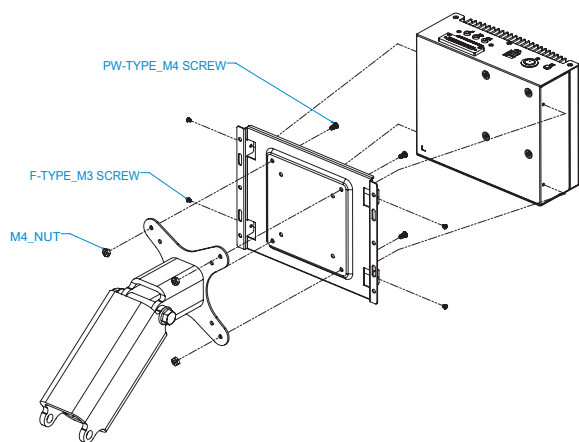
Front View



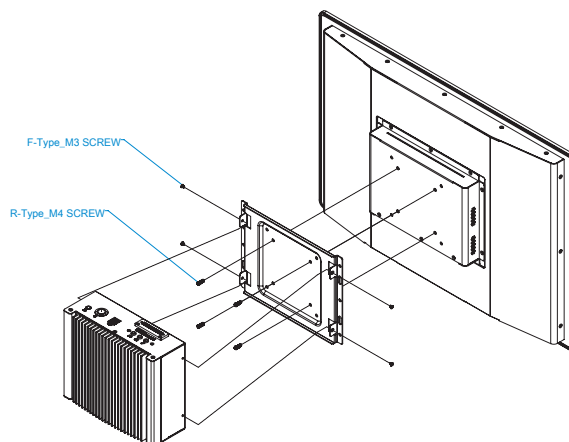
Rear View



VESA Mounting for Bracket



VESA Mounting for Panel



2-in-1 Design for Wall Mounting & VESA Mounting

